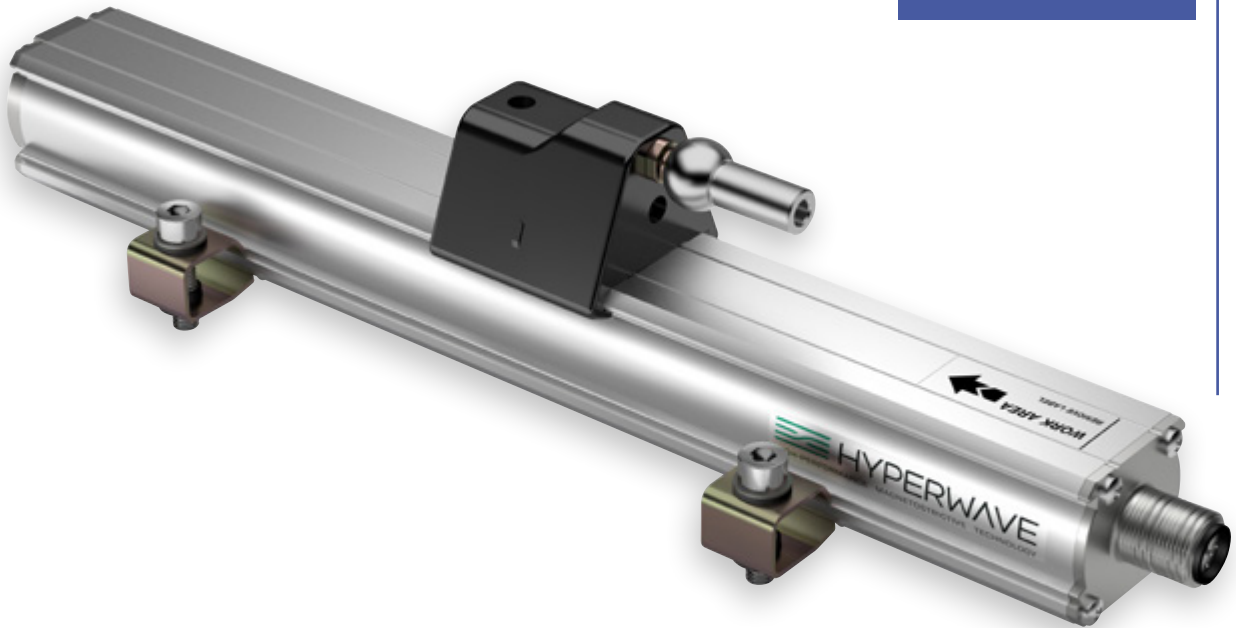
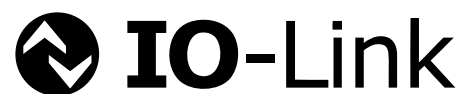


CONTACTLESS MAGNETOSTRICTIVE LINEAR POSITION TRANSDUCERS

WPL



 **HYPERWAVE**
HIGH-PERFORMANCE MAGNETOSTRICTIVE TECHNOLOGY



FLEXIBILITY

PRODUCTIVITY

CONNECTIVITY

EFFICIENCY

SAFETY

GEFRAN
BEYOND TECHNOLOGY

CONTACTLESS MAGNETOSTRICTIVE LINEAR POSITION TRANSDUCERS

HYPERWAVE
HIGH-PERFORMANCE MAGNETOSTRICTIVE TECHNOLOGY



IO-Link

WPL



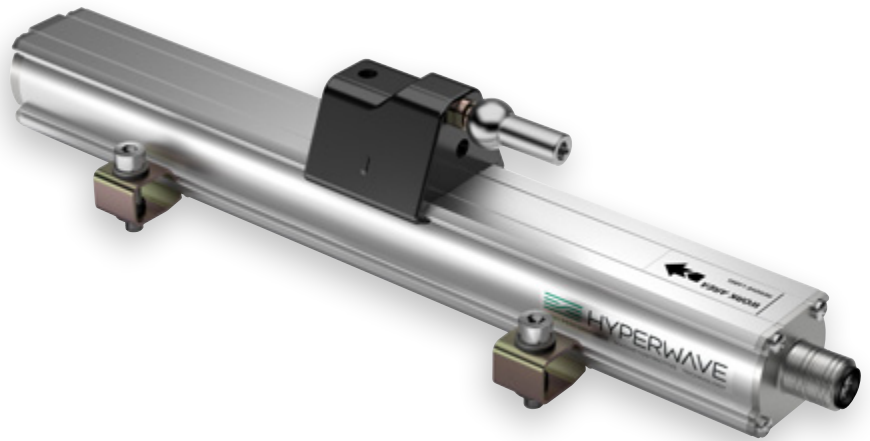
* Plus and Advanced models

REAL TIME INFO:

- POSITION
- CURSOR SPEED

ASYNCHRONOUS INFO:

- MAX ACCELERATION
- MAX SPEED
- MAX TEMPERATURE
- TIME IN MOVEMENT
- OUT OF RANGE COUNTER
- TOTAL DISTANCE



SHOCK

100g -11 ms
single shock
DIN IEC68T2-27



SIGNAL AMPLIFICATION

High mechanical amplification via
primary element
(vs. previous series)



RESOLUTION

0.5µm



THERMAL DRIFT

≤ 20 ppm FS/°C



SIGNAL STABILITY

~1000Vm/9µV



COMPATIBLE

Magnetically with other
transducers



VIBRATIONS

15g/ 10...2000HZ
DIN IEC68T2-6



TEMPERATURE MAX

85° - 90°C



CERTIFIED



IMMUNITY

EN 61000

HYPERWAVE WPL

STROKES RANGE:
50 - 4000 MM

LINEARITY:
± 0,02 F.S.

RESOLUTION:
0.5, 5, 10, 20, 50, 100 µm



www.gefran.com

GEFRAN
BEYOND TECHNOLOGY